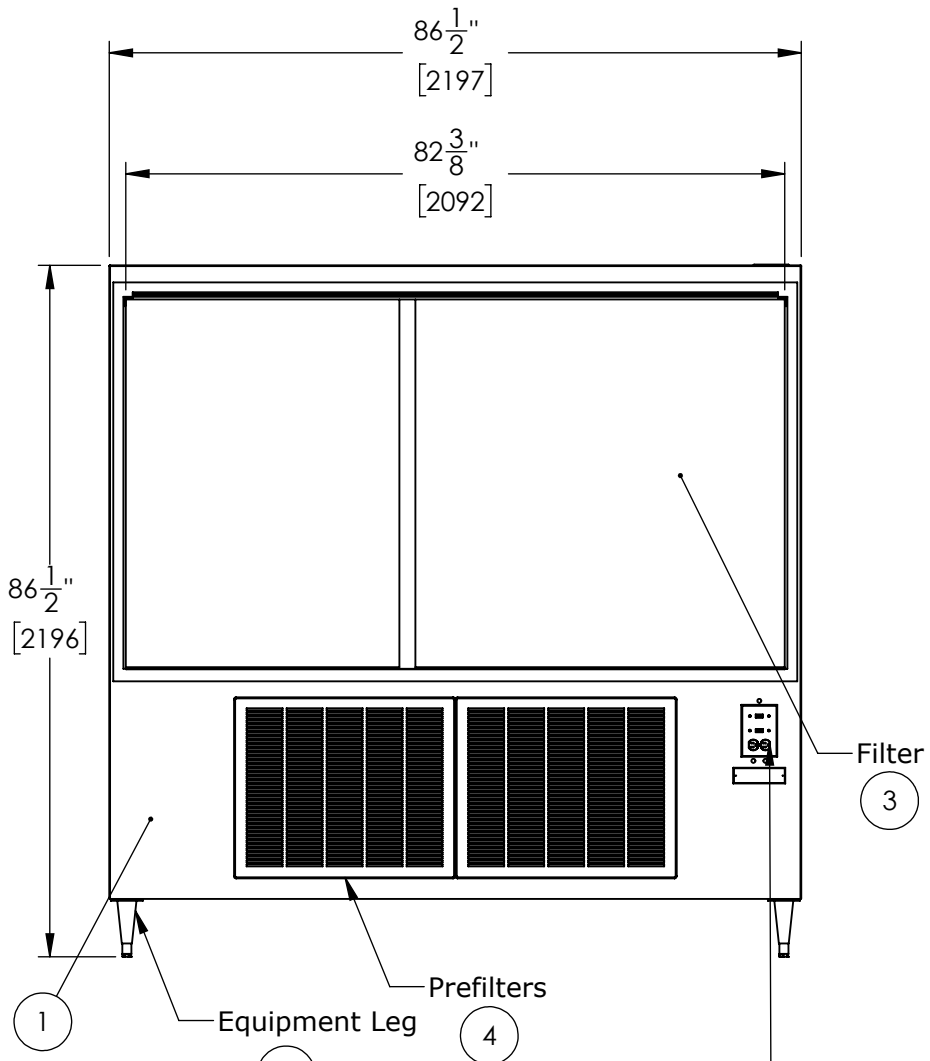
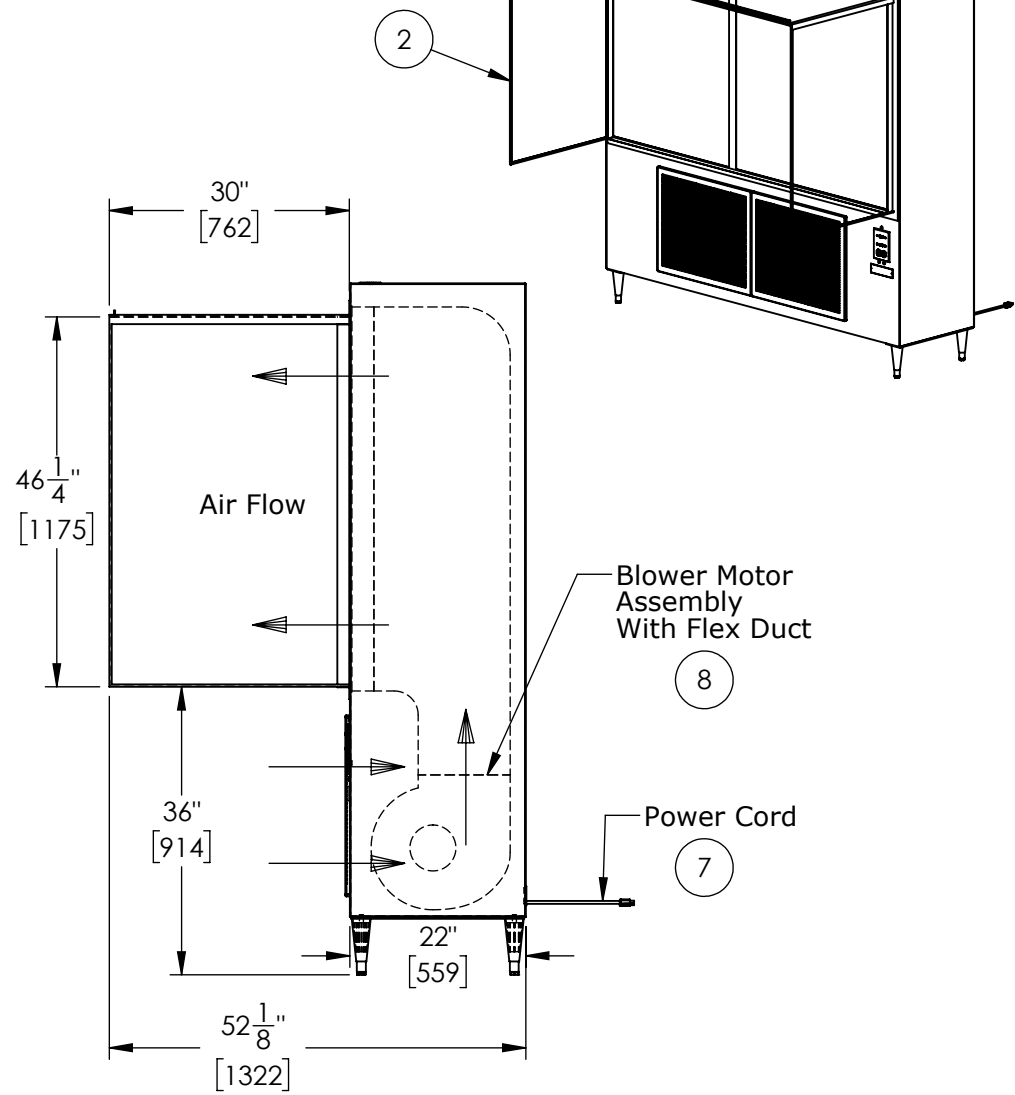


NOTES: UNLESS OTHERWISE SPECIFIED

1. DIMENSIONS ARE IN INCHES (mm).

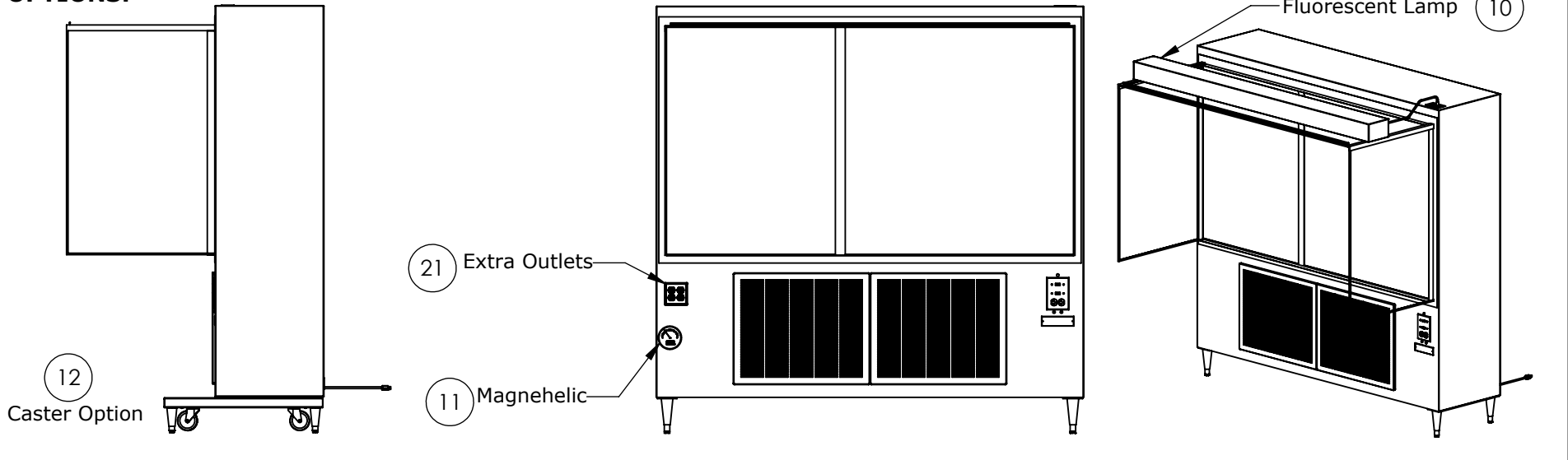


Control Panel -
 Light Switch
 Blower Switch
 Duplex Outlet
 (5) (6)



© COPYRIGHT 2010 CLEAN AIR PRODUCTS	Clean Air PRODUCTS		8605 WYOMING AVENUE NORTH • MINNEAPOLIS, MN 55445 800-423-9728 • ph: 763-425-9122 • fax: 763-425-2004 www.cleanairproducts.com		
	DESCRIPTION.		Horizontal Flow Clean Bench CAP303-748-36H		
	QUOTE NO.				
	DO NOT SCALE	DATE DRAWN 04/16/2021	QUOTE FORM 116861	REV 1	SHEET 1 of 2

OPTIONS:



Standard Features:

1. Heavy Gauge White Vinyl Clad Steel Construction
2. Clear Polycarbonate Hood Panels: 30" from Floor +/- 1/2" With Leg Adjustment
3. Front Removable HEPA- 99.99% on 0.3 Micron Filter (Expanded Steel, Epoxy Painted, Screen On Final Filter Face)
4. Fiberglass Pre-filter Behind Hinged Louvered Grill
5. Electrical Service: Convenience Receptacle (4 Amps Available), 120V, 1-Phase, 3 Wire, With Power Cord, 20.89 A FLA
6. Blower & Light Switch
7. Power Cord (5-30P)
8. Blower Motor Assembly With Flex Duct
9. 6" Equipment Legs

Options:

10. Fluorescent Light - T8 Lamps
11. Magnehelic Gage
12. Casters, With Equipment Legs
13. Conductive Plastic Laminate Table Top
14. Ion Bar System
15. Grill on HEPA (Removable)
16. Anti-Static Polycarbonate Hood Panels
17. Safety Glass Hood Panels
18. Safety Glass Top & Stainless Hood Panels
19. Deeper Hood Area (36", 42", 48")
20. ULPA - 99.999% on 0.12 Micron Filter
21. Extra Service Receptacle-Separate 15A Power Cord

NOTES: UNLESS OTHERWISE SPECIFIED

1. DIMENSIONS ARE IN INCHES (mm).

© COPYRIGHT 2010 CLEAN AIR PRODUCTS	Clean Air PRODUCTS		8605 WYOMING AVENUE NORTH • MINNEAPOLIS, MN 55445 800-423-9728 • ph: 763-425-9122 • fax: 763-425-2004 www.cleanairproducts.com			
	DESCRIPTION.		Horizontal Flow Clean Bench CAP303-748-36H			
	QUOTE NO.					
	DO NOT SCALE		DATE DRAWN 04/16/2021	QUOTE FORM 116861	REV 1	SHEET 2 of 2